

Protocol converter - GW PL HART8-BUS - 2702235


Please be informed that the data shown in this PDF Document is generated from our Online Catalog. Please find the complete data in the user's documentation. Our General Terms of Use for Downloads are valid (<http://phoenixcontact.com/download>)



Eight-channel HART[®] expansion module, with screw connection



Key Commercial Data

Packing unit	1 pc
GTIN	 4 055626 067063
GTIN	4055626067063
Weight per Piece (excluding packing)	1.000 g
Custom tariff number	85176200
Country of origin	Germany

Technical data

Note

Utilization restriction	Use in potentially explosive areas is not permitted in China.
-------------------------	---

Dimensions

Width	45 mm
Height	99 mm
Depth	114.5 mm

Ambient conditions

Ambient temperature (operation)	-40 °C ... 70 °C
	-40 °F ... 158 °F
Ambient temperature (storage/transport)	-40 °C ... 85 °C
Degree of protection	IP20

Protocol converter - GW PL HART8-BUS - 2702235

Technical data

General

Test voltage data interfaces	500 V AC
Test voltage data interface/power supply	500 V AC
Electromagnetic compatibility	Conformance with EMC Directive 2004/108/EC
Mounting position	any
Assembly instructions	on standard DIN rail NS 35 in accordance with EN 60715
Mounting type	DIN rail mounting
Net weight	310 g
Color	gray
MTBF	294 Years (Siemens model SN29500, temperature 40°C, env. factor 1.5 and stress factor 50%)
Conformance	CE-compliant

Power supply

Supply voltage range	19.2 V DC ... 30 V DC (supplied from the bus)
Typical current consumption	46 mA (at 24 V DC)

Interfaces

Interface 1	HART FSK
Interface	Analog
No. of ports	8
Connection method	Screw connection

Standards and Regulations

Electromagnetic compatibility	Conformance with EMC Directive 2004/108/EC
Conformance	CE-compliant
Noxious gas test	ISA-S71.04-1985 G3 Harsh Group A
ATEX	# II 3 G Ex nA IIC T4 Gc DEMKO 17 ATEX 1749X
IECEX	IECEX ULD 17.0020X Ex nA IIC T4 Gc
UL, USA/Canada	Class I, Div. 2, Groups A, B, C, D

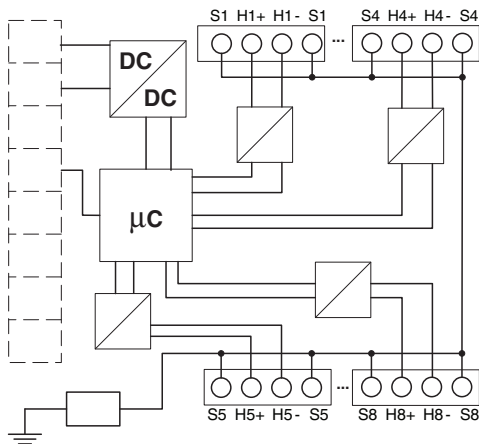
Environmental Product Compliance

REACH SVHC	Lead 7439-92-1
China RoHS	Environmentally Friendly Use Period = 50 years
	For details about hazardous substances go to tab "Downloads", Category "Manufacturer's declaration"

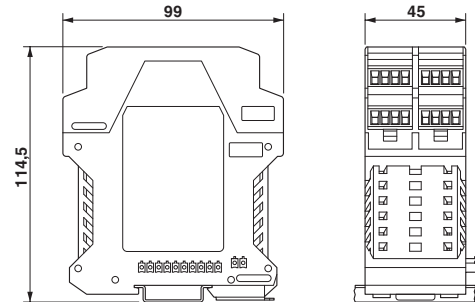
Drawings

Protocol converter - GW PL HART8-BUS - 2702235

Block diagram



Dimensional drawing



Classifications

eCl@ss

eCl@ss 10.0.1	27242208
eCl@ss 11.0	27242208
eCl@ss 5.0	27242700
eCl@ss 5.1	27242700
eCl@ss 6.0	27242200
eCl@ss 7.0	27242208
eCl@ss 9.0	27242208

ETIM

ETIM 6.0	EC001423
ETIM 7.0	EC001423

Approvals

Approvals

Approvals

UL Listed / cUL Listed / KC / cULus Listed

Ex Approvals

UL Listed / cUL Listed / IECEx / ATEX / cULus Listed

Protocol converter - GW PL HART8-BUS - 2702235

Approvals

Approval details

UL Listed		http://database.ul.com/cgi-bin/XYV/template/LISEXT/1FRAME/index.htm	FILE E 238705
-----------	--	---	---------------

cUL Listed		http://database.ul.com/cgi-bin/XYV/template/LISEXT/1FRAME/index.htm	FILE E 238705
------------	--	---	---------------

KC		http://eng.kcc.go.kr/user/ehpMain.do	R-REI-PCK-2702235
----	--	---	-------------------

cULus Listed			
--------------	--	--	--

Accessories

Accessories

Gateways/Proxies

Ethernet HART multiplexer - GW PL ETH/UNI-BUS - 2702233



Ethernet head station for modular HART gateway. Connect up to five GW PL HART...-BUS expansion modules to communicate with up to 40 HART devices. Supports Modbus TCP, OPC UA, PROFINET, HART IP, FDT/DTM and Arcom.

Ethernet HART multiplexer - GW PL ETH/BASIC-BUS - 2702321



Ethernet head station for modular HART gateway. Connect up to five GW PL HART...-BUS expansion modules to communicate with up to 40 HART devices. Supports Modbus TCP, HART IP, FDT/DTM and Arcom.

I/O component

Protocol converter - GW PL HART8-BUS - 2702235

Accessories

Protocol converter - GW PL HART4-BUS - 2702234



Four-channel HART[®] expansion module, with screw connection

Protocol converter - GW PL HART8+AI-BUS - 2702236



Eight-channel HART[®] expansion module with analog loop supply and screw connection

Protocol converter - GW PL DIO4-BUS - 2702237



Four-channel digital input and four-channel digital output module with screw connection

Protocol converter - GW PL HART4-R-BUS - 2702879



Four-channel HART[®] expansion module, with screw connection, with 250 Ω internal input resistors

Protocol converter - GW PL HART8-R-BUS - 2702880



Eight-channel HART[®] expansion module, with screw connection, with 250 Ω internal input resistors

Necessary add-on products

Protocol converter - GW PL HART8-BUS - 2702235

Accessories

Ethernet HART multiplexer - GW PL ETH/UNI-BUS - 2702233



Ethernet head station for modular HART gateway. Connect up to five GW PL HART...-BUS expansion modules to communicate with up to 40 HART devices. Supports Modbus TCP, OPC UA, PROFINET, HART IP, FDT/DTM and Arcom.

Ethernet HART multiplexer - GW PL ETH/BASIC-BUS - 2702321



Ethernet head station for modular HART gateway. Connect up to five GW PL HART...-BUS expansion modules to communicate with up to 40 HART devices. Supports Modbus TCP, HART IP, FDT/DTM and Arcom.